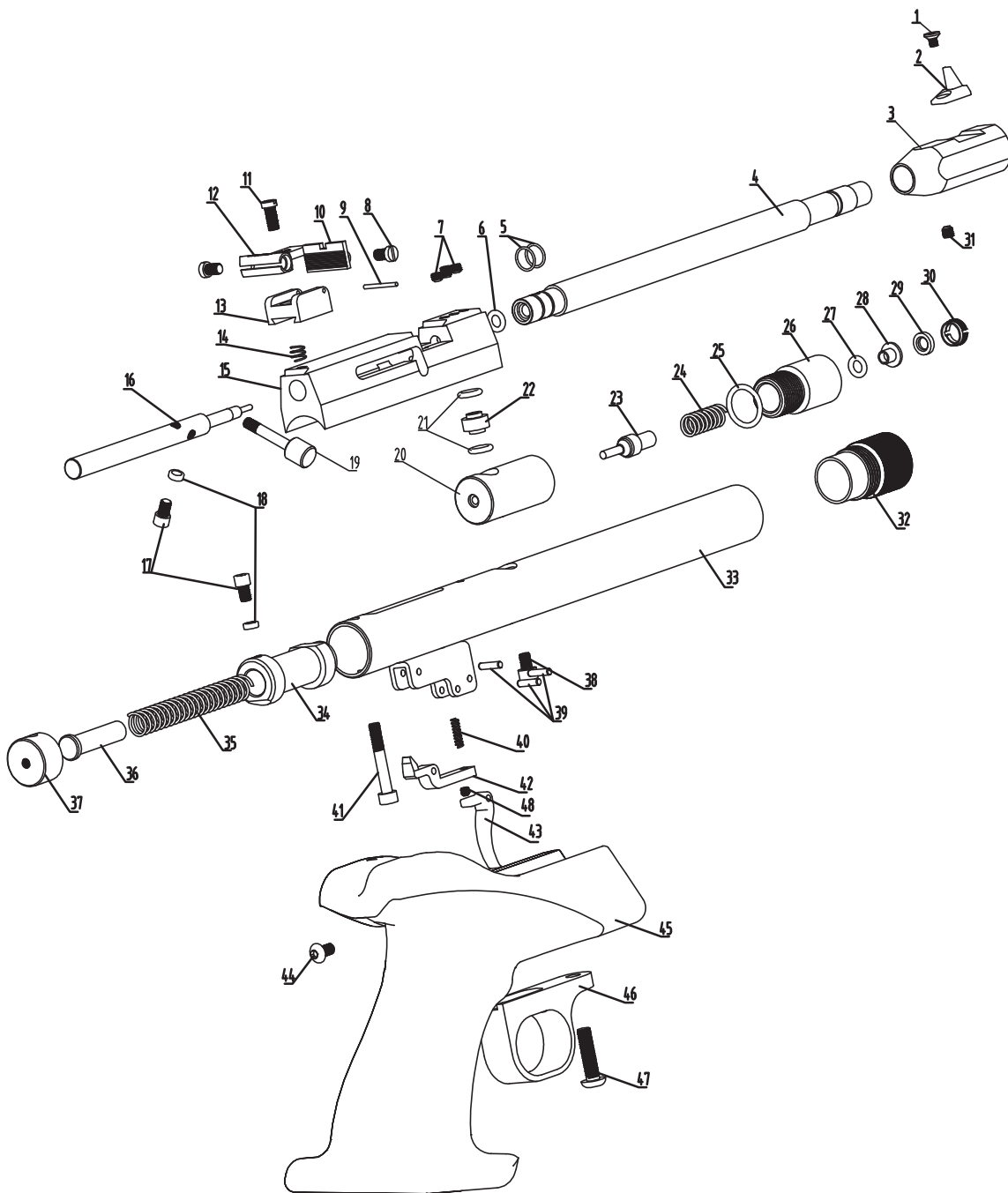


CP1 Exploded Diagram



NO.	Part Name	Qty.
1	Front Sight Screw	1
2	Front Sight	1
3	Front Sight Base	1
4	Barrel	1
5	Barrel O-Ring	2
6	Breech O-Ring	1
7	Barrel Fixing Screw	2
8	Windage Knob Screw	2
9	Rear Sight Base Pin	1
10	Rear Sight	1
11	Elevation Knob Screw	1
12	Rear Sight Base	1
13	Rear Sight Bottom	1
14	Rear Sight Base Spring	1
15	Breech	1
16	Bolt	1
17	Bolt Screw	2
18	Bolt Screw Bushing	2
19	Bolt Handle	1
20	Valve Body B	1
21	Connector O-Ring	2
22	Connector	1
23	Exhaust Valve Core Cover	1
24	Valve Body Spring	1
25	Valve Body O-Ring	1
26	Valve Body A	1
27	Retainer O-Ring	1
28	Puncture Pin	1
29	Puncture Pin Seal	1
30	Puncture Pin Holder	1
31	Safety Screw	2
32	Filter Cap	1
33	Main Tube Assembly	1
34	Piston	1
35	Piston Spring	1
36	Spring Guide	1
37	Piston Cover	1
38	Valve Body A Screw	1
39	Trigger Pin	3
40	Trigger Spring	1
41	Breech Tube Mount Screw	1
42	Sear	1
43	Trigger	1
44	Piston Cover Screw	1
45	Wood Grip	1
46	Trigger Guard	1
47	Valve Body B Screw	1
48	Trigger Adjustment Screw	1

REV.A 8/14