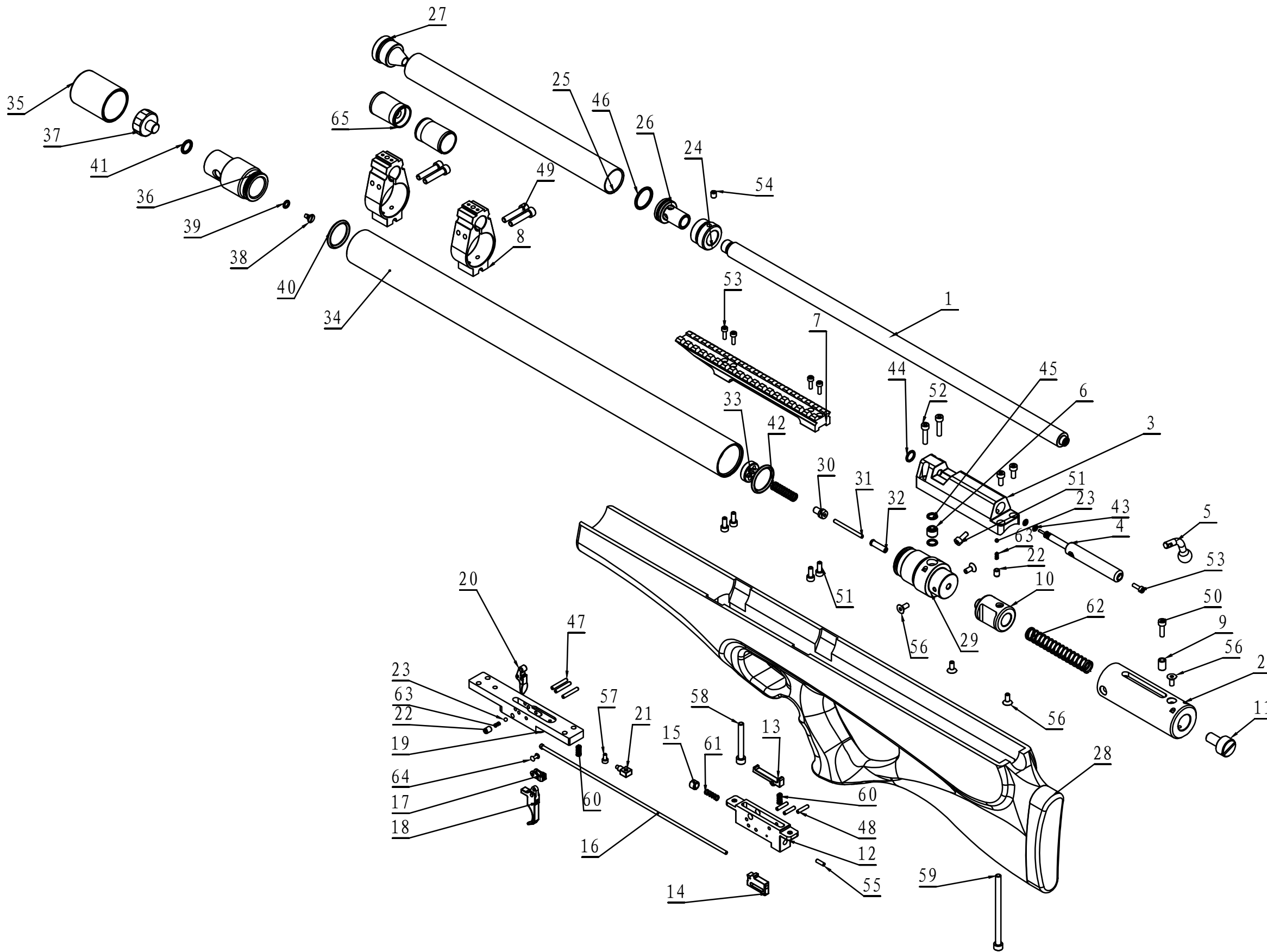


P12 Exploded Diagram



NO.	零件号	Part Name	Qty.
1	55套	Barrel	1
2	尾套	Shroud	1
3	座子	Breech	1
4	顶针	Breech Probe	1
5	拉手	Bolt	1
6	气量调节器	Regulator	1
7	皮轨架桥	Scope Rail	1
8	中间过滤块	Air Reservoir Mount	2
9	挡块	Spacer	1
10	撞块	Hammer	1
11	调整螺母	Shroud Nut	1
12	扳机壳	Trigger Housing	1
13	阻铁	Sear	1
14	托块	Sear Bracket	1
15	调丝	Bolt Screw	1
16	拉杆	Cocking Rod	1
17	挡块	Cocking Rod Block	1
18	扳机	Trigger	1
19	扳机座	Trigger Base	1
20	保险件	Safety	1
21	弹簧定位块	Spring Fixing Block	1
22	空心螺丝	Safety Spring Screw	2
23	D3.15钢珠	3.15 Detent Ball	2
24	消音定套	Suppresser Tube Rear Cover	1
25	消筒	Suppresser Tube	1
26	消筒	Suppresser Separation	1
27	堵头	Suppresser Tube Front Cover	1
28	中置托	Wood Stock	1
29	网座	Exhaust Valve	1
30	网体	Valve Body	1
31	网针	Valve Needle	1
32	嵌块	Valve Insert Block	2
33	调压螺栓	Pressure Regulating Bolt	1
34	缸体	Air Reservoir	1
35	护套	Fill Connector Cover	1
36	进气网座	Intake Valve	1
37	气表	Pressure Gauge	1
38	进气螺丝	Intake Valve Screw	1
39	D8-1.5密封圈	Intake Valve Seal D8-1.5	1
40	D29-3.0密封圈	Air Reservoir Seal D29-3.0	2
41	D14-2.0密封圈	Pressure Gauge Seal D14-2.0	1
42	8.2x1.2x30弹簧	Exhaust Valve Spring 8.2x1.2x30	1
43	D6-1.5密封圈	Bolt Seal D6-1.5	2
44	D11.5-1.5密封圈	Breech Seal D11.5-1.5	1
45	D10-1.5密封圈	Regulator Seal D10-1.5	2
46	D23-2.0密封圈	Suppresser Tube Seal D23-2.0	1
47	D3-20螺钉	Trigger Base Pin D3-20	3
48	D3-14螺钉	Trigger Housing Pin D3-14	3
49	内六角圆头螺钉M5x25	Air Reservoir Mount Screw M5x25	4
50	内六角圆头螺钉M4x14	Hammer Screw M4x14	1
51	内六角圆头螺钉M4x10	Breech Rear Screw M4x10	7
52	内六角圆头螺钉M4x18	Breech Front Screw M4x18	2
53	内六角圆头螺钉M3x10	Rail/Bolt Handle Screw M3x10	5
54	内六角平端紧定螺钉M5x6	Suppresser Rear Cover Screw M5x6	1
55	内六角平端紧定螺钉M3x10	Trigger Housing Screw M3x10	1
56	内六角沉头螺钉M4x10	Exhaust Valve/Shroud Screw M4x10	5
57	内六角圆头螺钉M3x6	Spring Fixing Block Screw M3x6	1
58	内六角圆头螺钉M5x4.0	Wood Stock Front Screw M5x4.0	1
59	内六角圆头螺钉M5x8.0	Wood Stock Rear Screw M5x8.0	1
60	5x0.6x10弹簧	Sear Spring 5x0.6x10	2
61	5x0.6x15弹簧	Sear Bracket Spring 5x0.6x15	1
62	12x1.2x80弹簧	Hammer Spring 12x1.2x80	1
63	3x0.5x6弹簧	Safety Spring 3x0.5x6	2
64	铆钉	Rivet	1
65	衬杯	Suppresser Insert	2

REV.A 8/14